


Electrical connection (wire-/ direct connection)


Mineral insulated (MI) cables require due to their special construction a special type of contact. Due to the hygroscopic insulation material (MgO, Al₂O₃, SiO₂) between current-carrying inner conductor and metallic sheath make it necessary to perform an excellent sealing of cable ends from the surrounding atmosphere.

For operating up to 200°C ambient temperature (in air or at a slight negative / positive pressure) can be made a cable connection using a tightly encapsulated transition. This is not suitable for self assembly

Typ DS-4,0x20


Heater \varnothing [mm]	Order Code	max. current [A] at 20°C	Dimension	Design and working temperature
1,0	DS-4,0x20x1,1	15,0	L= 30mm; \varnothing = 4mm; max 1,5mm ² Edelstahl	250°C (short), 200°C (constant)
1,5	DS-4,0x20x1,6			
2,0	DS-4,0x20x2,1			

Typ DS-4,0x30


Heater \varnothing [mm]	Order Code	max. current [A] at 20°C	Dimension	Design and working temperature
0,5	DS-4,0x30x0,6	16,0	L= 30mm; \varnothing = 4mm; max 1,5mm ² Edelstahl	250°C (short), 200°C (constant)
1,0	DS-4,0x30x1,1			
1,5	DS-4,0x30x1,6			
2,0	DS-4,0x30x2,1			

Electrical connection (metal-ceramic)


Typ D-4,0

Heater \varnothing [mm]	Order Code	max. current [A] at 20°C	Dimension	Design and working temperature
0,5	D-4,0	16,0	L= 25mm; \varnothing = 4mm; max 1,5mm ² Messing	250°C (short), 200°C (constant)
1,0				
1,5				
2,0				

Typ DS-5,0


Heater \varnothing [mm]	Order Code	max. current [A] at 20°C	Dimension	Design and working temperature
1,0	DS-5,0	20,0	L= 32 / 40mm; \varnothing = 5mm; max 2,5mm ² Edelstahl	250°C (short), 200°C (constant)
1,5				
2,0				
2,5				

Typ D-5,0


Heater \varnothing [mm]	Order Code	max. current [A] at 20°C	Dimension	Design and working temperature
0,5	D-5,0	20,0	L= 32 / 40mm; \varnothing = 5mm; max 2,5mm ² Messing	250°C (short), 200°C (constant)
1,0				
1,5				
2,0				
2,5				

Electrical connection (metal-ceramic)


Typ DS-6,0

Heater \varnothing [mm]	Order Code	max. current [A] at 20°C	Dimension	Design and working temperature
1,0	DS-6,0	30,0	L= 35 / 40mm; \varnothing = 6mm; max 4mm ² Edelstahl	250°C (short), 200°C (constant)
1,5				
2,0				
2,5				
3,0				

Typ DS-8,0

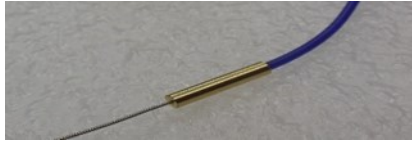
Heater \varnothing [mm]	Order Code	max. current [A] at 20°C	Dimension	Design and working temperature
2,0	DS-8,0	40,0	L= 52mm; \varnothing = 8mm; max 6mm ² Edelstahl	250°C (short), 200°C (constant)
2,5				
3,0				
4,0				

Typ DS-8,0x35x5


Heater \varnothing [mm]	Order Code	max. current [A] at 20°C	Dimension	Design and working temperature
5,0	DS-8,0x35x5	40,0	L= 35mm; \varnothing = 8mm; max 6mm ² Edelstahl	250°C (short), 200°C (constant)
				

Electrical connection (metal-ceramic)

Typ D-2,5x13

Heater \varnothing [mm]	Order Code	max. current [A] at 20°C	Dimension	Design and working temperature
0,5	D-2,5x13x0,6	4,0	L= 13mm; \varnothing = 2,5mm; max 0,5mm ² Messing	250°C (short), 200°C (constant) 

Typ SV

Heater \varnothing [mm]	Order Code	max. current [A] at 20°C	Dimension	Design and working temperature
1,0	SV-1,0	5,0	mit aufgesteckter Steckerbuchse L = 55mm; \varnothing Schrumpfschlauch= 6mm; Gewinde Steckerbuchse = M3	150°C (short), 110°C (constant) 
1,5	SV-1,5	7,5		
2,0	SV-2,0	10,0		